


2-Pedal Firewall-Mount

600
series


Pedal Material:	Aluminum
Ratio:	Varies
Weight:	4.8 lbs (2.2 kg)
P/N:	72-607

Typical Applications


- › Road Racing
- › Endurance
- › Off Road
- › High Performance Street/Strip
- › Circle Track
- › Rally
- › Drifting



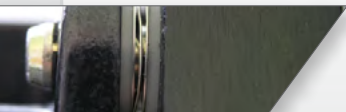
Forged aluminum pedals are engineered for high rigidity and low weight.



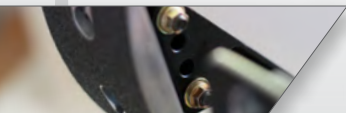
Lightweight aluminum frame features guide "ramps" to reduce balance bar tipping. By decreasing balance bar tipping, friction is decreased and brake repeatability is improved.



Large diameter 7/16"-20 balance bar, allowing front/rear brake bias adjustments, minimizes flex to provide a solid pedal feel/response. PTFE coated aluminum clevises for increased durability and reduced friction.



Pedal pivots feature wave washers to reduce lateral pedal movement and oil impregnated bronze bushings decrease stiction.



Foot pads can be adjusted vertically, horizontally and in angle to suit individual driver preferences. With two different pad sizes the customization is virtually endless.

Optional Components

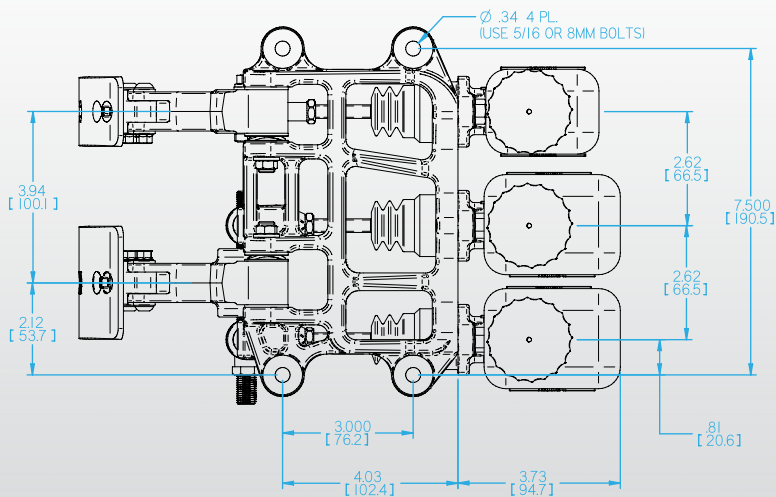
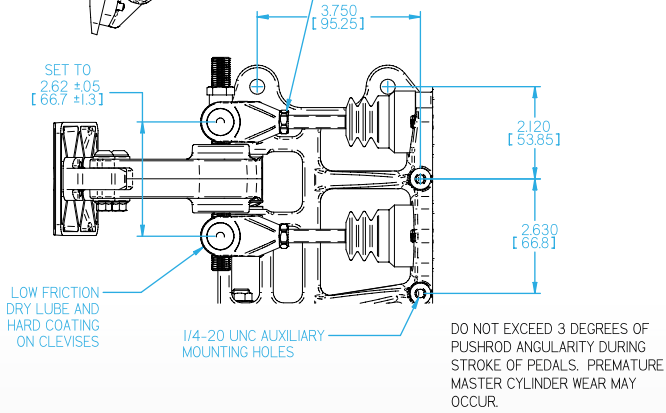
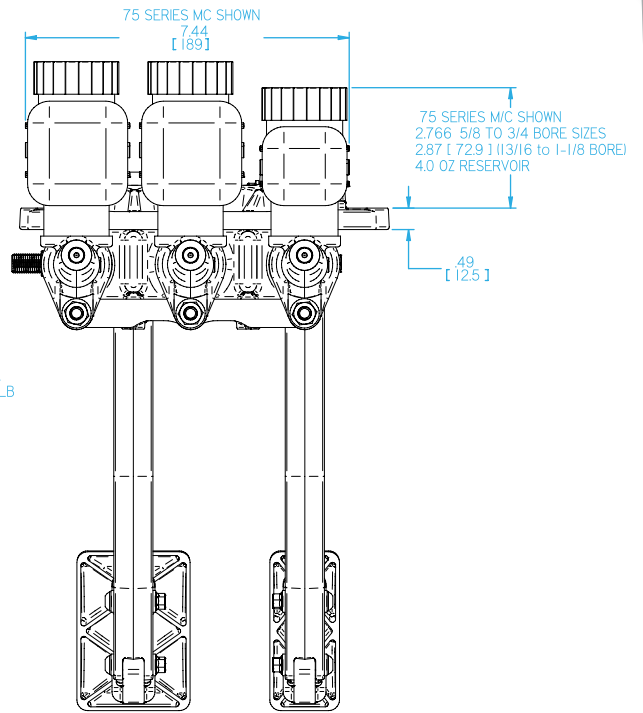
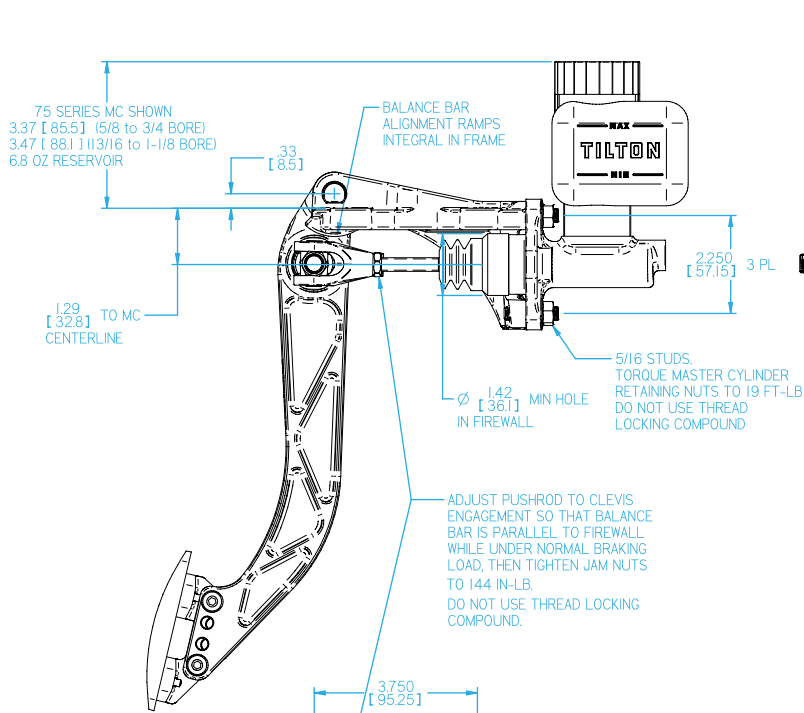
Master Cylinders	Page
76-Series Master Cylinders	81
75-Series Master Cylinder Kits	82
74-Series Master Cylinder Kits	83
73-Series Master Cylinders	84

Accessories	Page
3-in-1 Plastic Reservoir	86
3-in-1 Billet Reservoir	87
Brake Bias Adjusters	88
Proportioning Valves	89
Flow Control Valve	89

* Does not include master cylinders

Detailed Pedal Information

Pedal assemblies do not include master cylinders



PEDAL RATIO WILL VARY FROM 5.0:1 TO 6.2:1 BASED ON PEDAL PAD POSITION.

